

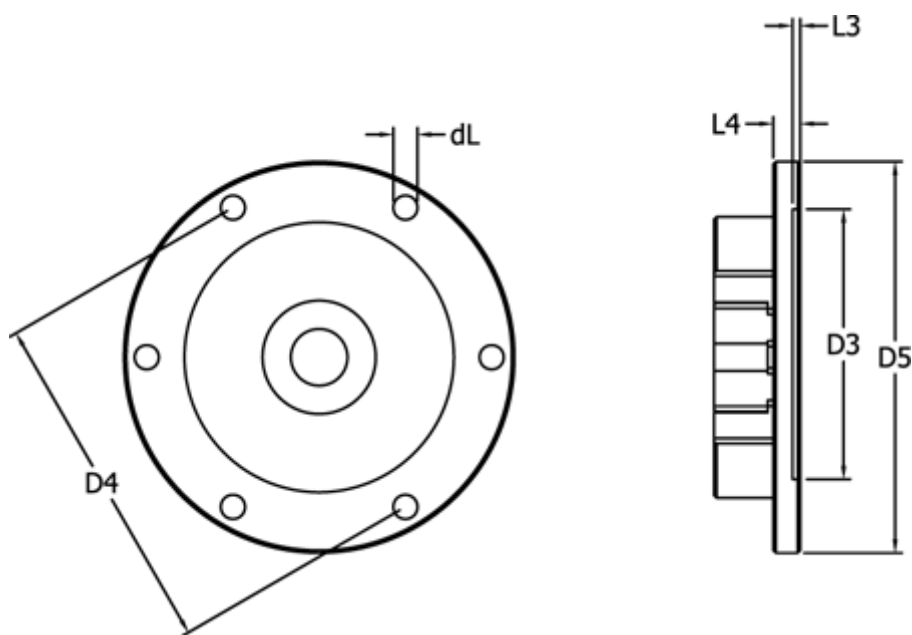
Data Sheet



Article number: 3302360230

Description: Tschan Flange SX S360 part 230
Maks. boring 150 mm

Measures



D3	= 360
D4	= 420
D5	= 455
DL - number x size	= 16x17,5
L3	= 5
L4	= 28